

# MEDENUS

Gas Pressure Regulation



## Safety Relief Valve SL 10

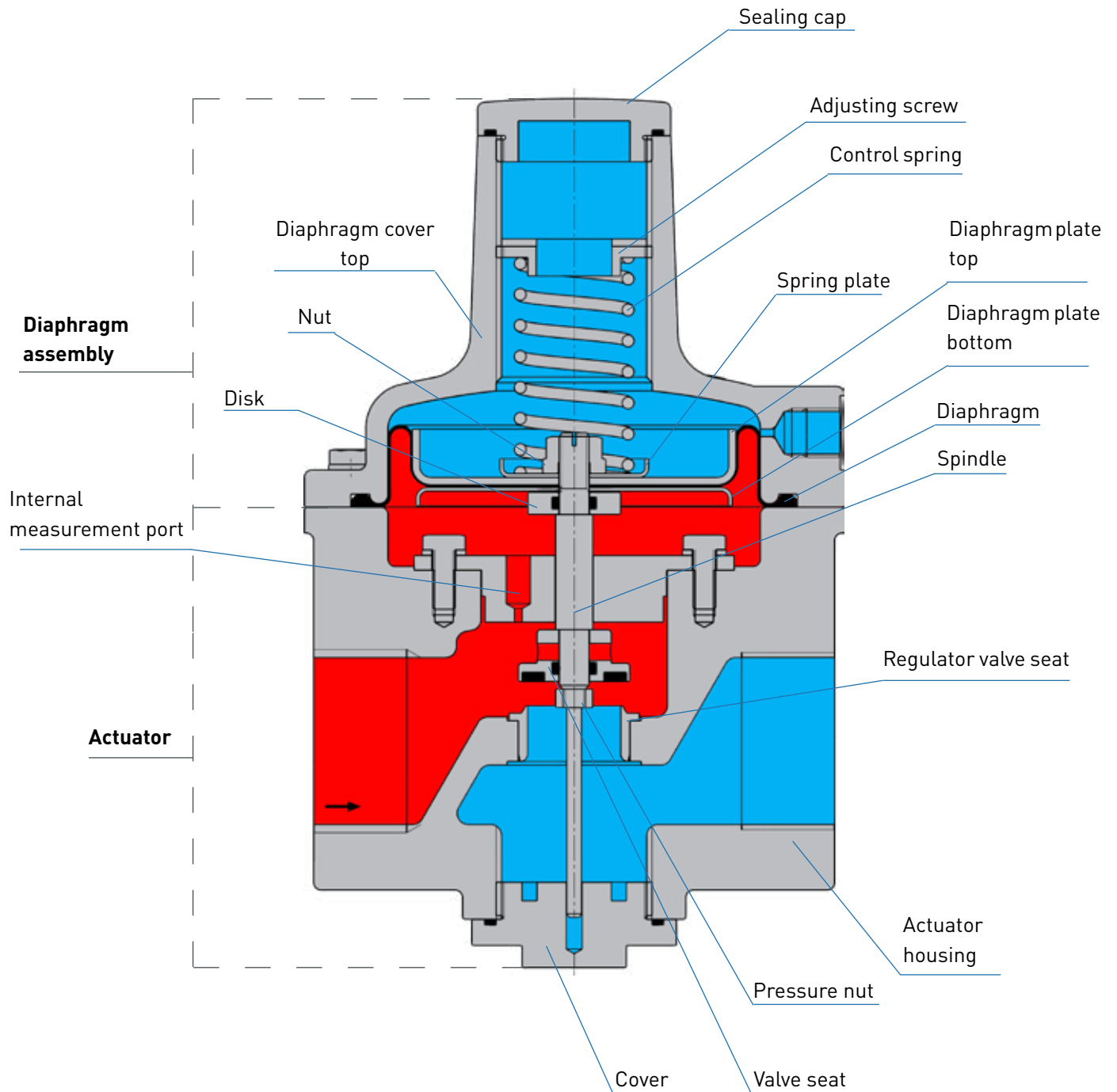


Operating and Maintenance Instructions

EN



# Design of the safety relief valve SL10



# Table of Contents

<b>1 General Information</b>	<b>6</b>
1.1 Warranty and Liability	6
1.2 Symbols, Notes	7
1.3 Terms, Abbreviations	7
<b>2 Application, Characteristics</b>	<b>8</b>
2.1 Application	8
2.2 Characteristics	8
2.3 Types of Models (Options)	8
<b>3 Avoidance of Foreseeable Misuse</b>	<b>8</b>
<b>4 Safety Instructions</b>	<b>9</b>
4.1 Hazards of Handling the Device	9
4.2 Personnel Requirements	9
4.3 Country-Specific Requirements	9
4.4 Handover of the Operating and Maintenance Instructions	9
4.5 Safety in Operation	10
4.6 What to Do in Case of Danger	10
<b>5 Responsibility of the Operator</b>	<b>10</b>
<b>6 Transport, Storage and Packaging</b>	<b>11</b>
6.1 Transport	11
6.2 Storage	11
6.3 Packaging	11
<b>7 Mounting and Commissioning</b>	<b>12</b>
7.1 Safety Instructions and Preparation	12
7.2 Mounting	12
7.3 Leakage Test (Test for External Leakage)	14
7.4 Initial Commissioning / Recommissioning	15
7.6 Decommissioning	16
<b>8 Maintenance</b>	<b>16</b>
8.1 Maintenance Plan	16
8.2 Maintenance Procedure	17
8.3 Table of Screw Tightening Torques $M_A$	17
8.4 Lubricants Table	17
<b>9 Troubleshooting</b>	<b>18</b>
9.1 Safety Relief Valve	18
<b>10 Replacement and Disposal</b>	<b>19</b>
<b>11 Spare Parts</b>	<b>19</b>
11.1 Parts for Maintenance Work	19
O-Rings and Sealing Rings	19
Valve Plate / Diaphragm	19
11.2 Spare Parts Drawing SL10	20
<b>Notes</b>	<b>21</b>

---

<b>12 Accessories / Options</b>	<b>22</b>
12.1 Leakage Gas Quantity Display	22
Type LI-1	23
Type LI-2	23
Pin assignment	23
Type LI-1 angled type	24
Type LI-2 straight type	24
12.2 AV breather valve	25
12.2 HD-2 version	26
<b>Declaration of Conformity</b>	<b>27</b>
<b>Notes</b>	<b>30</b>

---

# 1 General Information

The personnel entrusted with installation, operation or maintenance of the safety relief valve must have completely read and understood beforehand the following documents:

- **Safety Relief Valve SL 10 Product Information**  
The product information contains technical data, dimensions and a description of the design and the mode of operation.
- **Safety Relief Valve SL 10 Operating and Maintenance Instructions**  
This document allows safe and efficient handling of the device and contains information on assembly, commissioning, maintenance, troubleshooting, and repair according to regulations.  
It is an integral part of the scope of delivery of the device, must be kept in close proximity of the device and must be readily accessible to personnel at any time.  
The basic prerequisite for safe working is compliance with all safety instructions and instructions for action given in this manual. Accordingly, the information and instructions must be observed when working on the device or on the gas line. In addition, the local occupational safety regulations and general safety regulations for the application range of the device shall apply.  
The figures in these instructions are provided for basic understanding and may differ from the actual design. The contents of these instructions are protected by copyright. They may be used as part of operating the device. Any other use and/or reproduction is not permitted without prior authorization by MEDENUS Gas-Druckregeltechnik GmbH.

## 1.1 Warranty and Liability

Claims under warranty or liability for personal injury and material damage are generally void, **if one or several of the following conditions are not observed:**

- Work on the device during the warranty period may only be performed in consultation with the manufacturer
- Designated use of the device in accordance with the established conditions of use
- Proper installation, commissioning, operation and maintenance of the device
- Operation of the device with properly installed and functioning safety devices only
- Operating and maintenance instructions of the device or of the system
- Compliance with the maintenance instructions
- Properly performed repairs
- Supply lines without defects
- The use of original MEDENUS® spare parts and lubricants listed in these instructions or
- Force majeure

### It is generally prohibited

- To perform constructive modifications on the device
- To keep using the device despite the detection of a defect

## 1.2 Symbols, Notes

The instructions contain safety instructions marked with symbols to indicate possible consequences in case of non-observance:

This combination of symbol and signal word indicates a potentially hazardous situation which, if not avoided, may result in minor or moderate injury, damage to the device, the breakdown of the system, and material or environmental damage.



**ATTENTION**

This combination of symbol and signal word indicates an imminent hazardous situation which, if not avoided, will result in death or serious injury.



**DANGER**

This signal word highlights useful tips, recommendations, and information for efficient and trouble-free operation.

**Note**

## 1.3 Terms, Abbreviations

Terms and abbreviations are explained below:

ATC	Acceptance test certificate	SSV	Safety shut-off valve
DN	Nominal width	SRV	Safety relief valve
GPR	Gas pressure regulator		
MOP	Maximum operating pressure in a system		

## 2 Application, Characteristics

### 2.1 Application

Safety relief valve (SRV), direct-acting (operating without auxiliary power), for systems acc. to DVGW work sheets G 491 (A) and G 600 (A) (TRGI)

Can be used as an equipment component on gas consumption facilities as defined in Regulation (EU) 2016/426.

Can be used for the gases defined in DVGW work sheets G 260 / G 262 and neutral non-aggressive gases. (other gases on request)

### 2.2 Characteristics

- Integral pressure-tight model (IS)
- Class A
- Open-air model

### 2.3 Types of Models (Options)

- Oxygen model
- HD2 model
- Hydrogen model

## 3 Avoidance of Foreseeable Misuse

- The SRV must not be used to control liquids.
- The SRV must not be used in temperature ranges below -20 °C or above 60 °C.
- The SRV must not be used for pressure ranges higher than the pressure "PS" indicated on the nameplate.
- The SRV may only be used for the gases specified under item 2.1 Application in these operating instructions.

Other gases, such as oxygen or hydrogen, must be explicitly stated on the nameplate.

Please consult the manufacturer before use.

- The SRV must not be used in high-temperature areas (HTB) without an upstream HTB fuse.



## 4 Safety Instructions

National accident prevention regulations and the system operator's safety regulations are not superseded by these operating and maintenance instructions and must be taken into consideration with priority (in Germany, see, among others, DVGW work sheets G 600, G 459/II, G 491 and G 495).

When performing work on the device, the current general and specific safety regulations must be observed.

The application limits of the device with respect to the medium, operating pressure and operating temperature can be found on the nameplate affixed to the device or on the acceptance test certificate.

Using the device under different operating conditions must be agreed upon in consultation with MEDENUS Gas-Druckregeltechnik GmbH.

The mechanical components of the device do not have any potential ignition sources of their own nor any hot surfaces and are thus not covered by the scope of 2014/34/EU (ATEX). The electronic accessories used comply with the ATEX requirements.

### 4.1 Hazards of Handling the Device

MEDENUS® devices conform with current standards and directives, the recognized technical rules and the recognized safety rules.

However, improper use can result in hazards to the user or to third parties. This can also result in damage to the device or to the system.

This is why the device may only be used:

- in accordance with its designated use
- in perfect condition
- while observing the notes given in these operating and maintenance instructions, and inspection and maintenance regulations, which apply to the functioning and safety of the overall system.

Malfunctions or faults must be eliminated immediately.

### 4.2 Personnel Requirements

The device may only be mounted by qualified personnel.

Only authorized personnel with the required qualification is allowed to perform settings or repairs on the device.

### 4.3 Country-Specific Requirements

The rules and regulations applicable at the place of use must be observed and complied with. They apply to:

- gas lines, installation of the gas system
- gas supply
- work on the gas system
- accident prevention

### 4.4 Handover of the Operating and Maintenance Instructions

The supplier of the system shall hand over these operating and maintenance instructions to the operator of the system no later than during commissioning and training of the operating personnel with the reminder to carefully store these instructions.

## 4.5 Safety in Operation

The device may only be used when all protective devices on the device or in the system are fully functional.

At least once a year, the device must be inspected for externally visible damage and for proper functioning by a representative of the manufacturer or by a qualified person.

A more frequent inspection may become necessary, depending on the system conditions.

## 4.6 What to Do in Case of Danger

Information on what is to be done in case of danger and in case of accidents can be found in the respective operator's or specialist companies' work instructions.

## 5 Responsibility of the Operator

**Operator** An operator is a person who operates the device himself/herself for commercial or economic purposes or leaves it to a third party for use/application and is legally responsible for the safety of the user, the personnel or third parties during operation.

**Operator duties** The device is used in the commercial sector. The operator of the device is therefore subject to the legal obligations for occupational safety. In addition to the safety instructions contained in these instructions, the established maintenance intervals must be observed, taking into account the respective national standard (alarm and hazard prevention plan).

In particular, the following applies:

- The operator is obliged to perform work on MEDENUS® devices during the warranty period only after consultation with the manufacturer. Otherwise the claims under warranty will become void.
- The operator must obtain information on the current occupational safety regulations and determine additional hazards resulting from the special work conditions at the place of use of the device in a risk assessment. The owner must implement the results in the form of operating instructions for the device.
- During the entire time of use of the device, the operator must check whether the operating instructions issued by him/her conform to the current state of the regulations and, if necessary, adapt them.
- The operator must clearly regulate and define the responsibilities for installation, operation, troubleshooting, maintenance and cleaning.
- The operator must ensure that all persons handling the device have read and understood these instructions. In addition, the owner must train the personnel at regular intervals and inform them about the hazards.
- The operator must make available to the personnel the required protective equipment and oblige them to wear the required protective equipment.
- Moreover, the operator is responsible for the device always being in technically perfect condition.

Therefore, the following applies:

- The operator must make sure that the maintenance intervals described in these instructions are observed.
- The operator must have all safety devices checked regularly for functionality and completeness.

## 6 Transport, Storage and Packaging

### 6.1 Transport

#### Note

The device must be handled carefully and secured against impacts and knocks. In case of transport damage, we will require the following information from the nameplate affixed to the device:

- Device type
- Device model
- Year of construction/fabrication number

### 6.2 Storage

**Equipment and spare parts must be stored under the following conditions:**

- Do not store outdoors.
- Store in a dry and dust-free location.
- Store on a flat surface.
- Do not expose to aggressive media.
- Do not expose to ozone or ionizing radiation.
- Do not store adjacent to direct heat sources.
- Avoid mechanical vibrations.
- Storage temperature: 0 to 25 °C.
- Relative air humidity: < 55 %.

**Spare parts:**

- Components susceptible to corrosion must be provided with a suitable preservative.
- Do not store O-rings and seals for more than 5 years even if stored properly.
- Spare parts must be stored in their original packaging until use.

**Storage period for devices:**

- Storage of the device for up to one year:  
Store the safety relief valve in its original packaging and its original condition as delivered. All protective caps of the device must remain mounted.
- Storage of the device for more than 1 year (e.g. as a spare device):  
Store the device in its original packaging and its original condition as delivered and check it for damage once a year. Check the housing surface for dirt, damage and corrosion. If necessary, clean all external parts. After 5 years, all O-rings and seals must be replaced.

### 6.3 Packaging

- The individual packaged items have been packaged in view of the transport conditions to be expected.
- The symbols on the packaging must be observed during transport and storage.
- Only environmentally friendly materials have been used for packaging.
- The packaging is designed for protecting the individual components from transport damage, corrosion and other damage until mounting. This is why the packaging must not be destroyed and only removed just prior to mounting.

# 7 Mounting and Commissioning

## 7.1 Safety Instructions and Preparation

Prior to starting work on pressurized components:

- Close all connections to the gas line.
- Depressurize all pressurized components. Also discharge residual energies.
- Defective components charged with pressure in operation must be replaced immediately by an appropriate expert.

**DANGER**



Prior to starting work, ensure sufficient clearance for mounting.

Before installing the device, check whether the performance data (nameplate) and the scope of delivery coincide with the order or the system data, i.e., make sure that the provided devices are suitable for their intended purpose. In particular, the inlet pressure of the system must be lower than the maximum allowable pressure of the device, or the system must be declared to be differential pressure-resistant.

**Note**

Direct contact of gas valves and fittings, i.e., the control system, with hardening masonry, concrete walls or floors is not permitted. Provide suitable supports, working materials and protective equipment.

**Note**

Take into account the minimum clearances for maintenance as stated in the product information.

Before installing the device in the pipeline, check whether a shut-off device that interrupts the gas flow supply to the device has been mounted upstream of the device to be installed.

Prior to commissioning, make sure that all installation work has been carried out and completed in accordance with the data and information given in these instructions and that no unauthorized persons stay in the danger zone.

**DANGER**



## 7.2 Mounting

- Remove the packaging, flange protection caps and shipping braces.
- Check the device for wear and damage.
- Make sure that the device is installed free of stress (see DVGW info gas no. 19). Make sure to observe the direction of flow i.e., the arrow on the housing must point in the direction of flow.
- All breather lines (items 7.04 / 7.07) must be vented to the outside atmosphere.
- The breather line (item 7.04) may not be required if breather valves are used

**Note**

**Note**

**Note**

### Tightening torques $M_A$ \*)

Gas pressure regulators		Flange tightening torques	
Screw size	Screw tightening torque $M_A$	Screw size	Screw tightening torque $M_A$
M6	8 Nm	M12	60 Nm
M8	18 Nm	M16	120 Nm
M10	36 Nm	M20	190 Nm
M12	62 Nm		

\*) For the assembly of the flange connections, the maximum torques specified by the flange and gasket manufacturers must be observed. The values indicated here should be considered as approximate values.

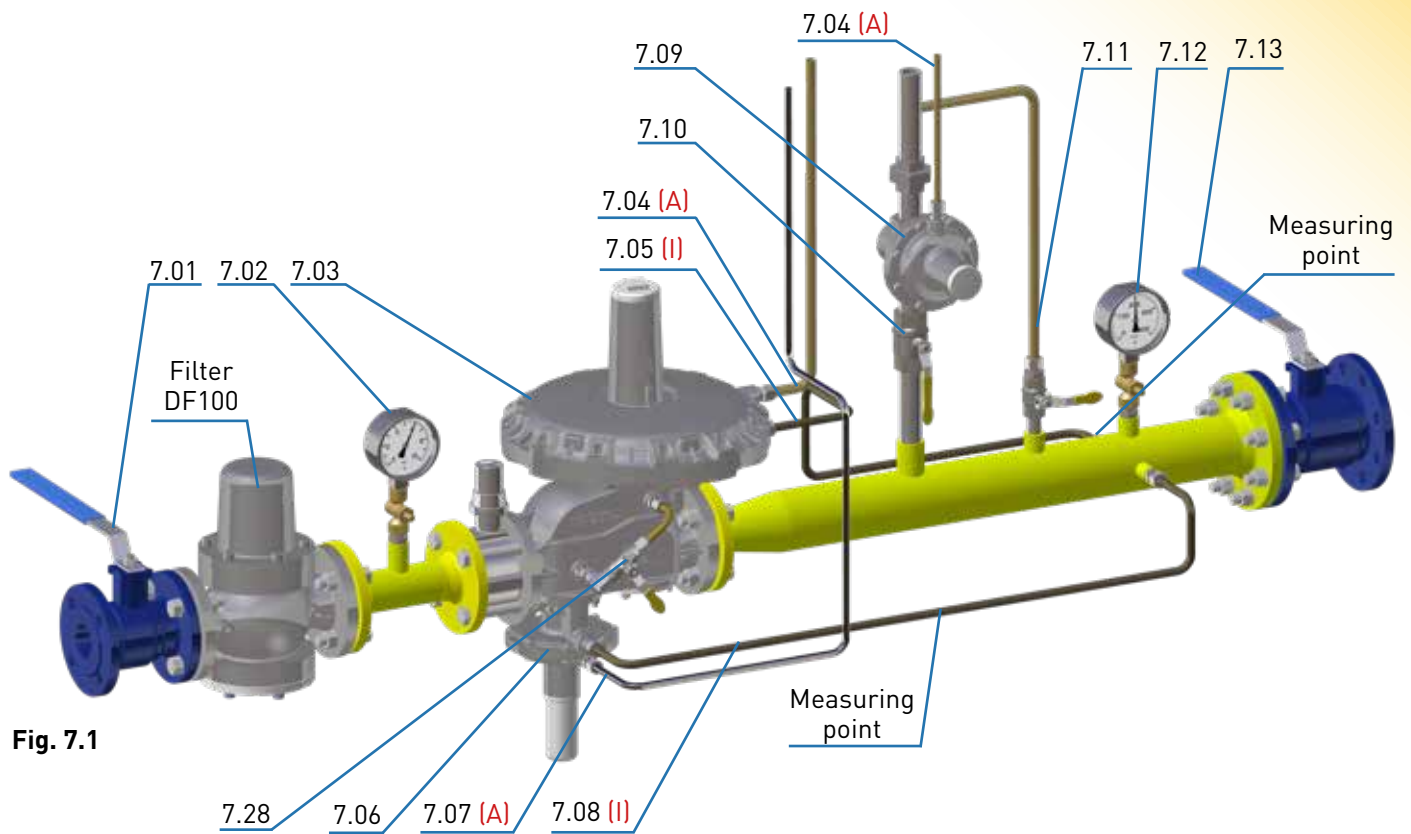
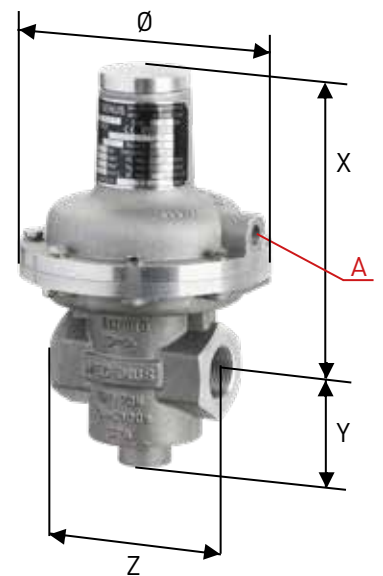


Fig. 7.1

### Connection

Nennweite /nominal size			Abmessung / dimension (mm)					Anschluss Regler /connection Regulator		Anschluss Regler Öffnungsdurchmesser / connection Regulator opening diameter (mm)	
DN	Connection / connection		X	Y	Z	Ø	HD2	Atmungsleitung / breathing line (A)	Atmungsleitung / breathing line (A)		
SL10	25	RP 1"	173	53	100	145	112	RP1/4"	2		
	40	RP 1½"	173	61	140						
	50	RP 2"	173	61	160						



### 7.3 Leakage Test (Test for External Leakage)

The devices are subjected to a strength and leakage test ex works at MEDENUS Gas-Druckregeltechnik GmbH.

The leakage test in the fully assembled system must be performed prior to commissioning and following maintenance work.

For the external leakage test in the fully assembled system, the following applies

#### For Germany:

According to DVGW work sheet G 491, the fully assembled system must be subjected to a leakage test with air or an inert gas at the installation site, using 1.1 times the maximum operating pressure of the system (MOP).

An exception is the room between the actuator and the first shut-off valve on the outlet side. This room must be checked using the test pressure corresponding to the maximum permissible pressure in the system in case of a malfunction (1.1 MOP<sub>d</sub>). In this test, all detachable connections must be checked using a foaming agent.

#### For other countries:

The relevant national and international standards shall apply.

#### Procedure

- Close the ball valve upstream of the valves and fittings (item 7.01).
- Close the downstream shut-off devices (item 7.13) (ball valve, solenoid or pneumatic valve).
- Depressurize the system (item 7.11).
- Connect the testing device to measuring points upstream and downstream of the gas pressure regulator (items 7.02 / 7.12).
- Test the tightness of the safety relief valve (item 7.09) until the response pressure is reached and then close the line upstream of the SRV (item 7.10).
- Always increase the test pressure slowly and steadily.

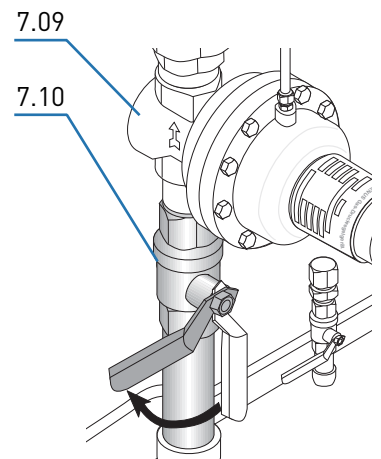
#### While doing so, you must ensure:

Pressure in outlet chamber (item 7.12)  $\leq$  pressure in inlet chamber (item 7.02)

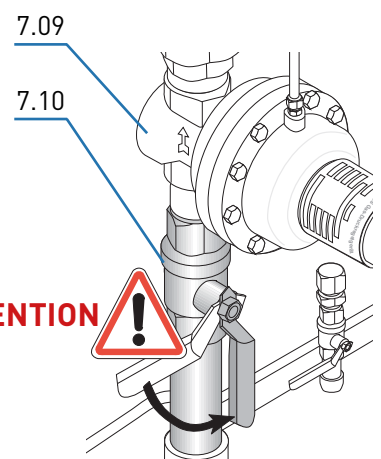
Pressure build-up always from the inlet side (inlet chamber)

Pressure reduction always from the outlet side (outlet chamber)

- After leakage test: Open the ball valve in the SRV line (item 7.10) again.



#### Note

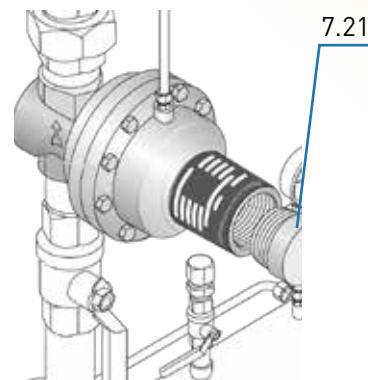


## 7.4 Initial Commissioning / Recommissioning

Initial commissioning of the system components shall be carried out by the operator. For commissioning, please refer to the documents listed under item 1 "General Information" and the system operator's work instruction.

The devices delivered by MEDENUS Gas-Druckregeltechnik GmbH are factory-set to the operating data specified by the customer. This data is listed on the Acceptance Test Certificate (ATC)\* and the type plate.

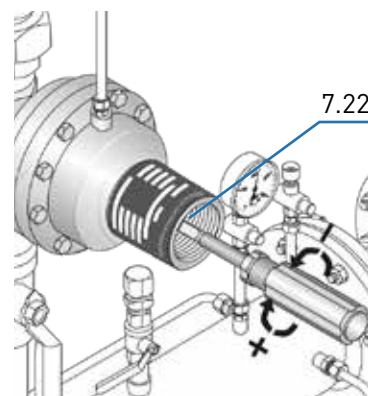
- For a functional test of the SRV, increase the gas pressure with the controller until the SRV responds and read the set regulating pressure on the outlet pressure gauge (item 7.12).
- If necessary, correct the response pressure.  
This is done by turning the SBV setpoint setting screw (item 7.22) to the right or left, in order to increase and decrease the setpoint, respectively, after removal of the sealing cap (item 7.21).
- Screw on the sealing cap (item 7.21) again.



### Changing the control range

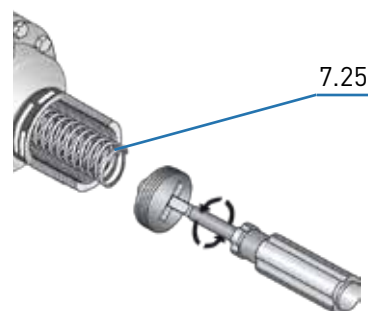
Switching to the control range of a different setpoint spring can be done for the SRV while the device is pressurized.

- Take off the sealing cap (item 7.21) and unscrew the setting screw (item 7.22),
- Pull out the spring (item 7.25) and replace the spring with one that fits.
- Screw in the setting screw (item 7.22) again.
- Set the desired setpoint and screw on the sealing cap (item 7.21).



## 5.5 Diaphragm assembly setpoint spring table

Pressure range (mbar)	Spring data	
	Spring no.	Color [RAL]
25 - 39	FG100	9006
35 - 71	FG101	5015
55 - 131	FG102	6018
105 - 275	FG103	3020
215 - 575	FG104	5010
415 - 1050	FG105**	6010
900 - 1950	FG106***	7035
1750 - 3500	FG107***	1028



\*) Acceptance Test Certificate (ATC) available optionally

\*\*\*) with high-pressure spring plate (HD1)

\*\*\*) with high-pressure screw spindle (HD2)

## 7.6 Decommissioning

For decommissioning, please refer to the documents listed under item 1 “General Information” and the system operator’s work instruction.

### Procedure

- Slowly close the outlet shut-off valve (item 7.13) or
- Slowly lower the outlet pressure via the setpoint setting screw until the reserve rail takes over the gas supply or
- Slowly raise the setpoint of the reserve rail until the operating rail is disabled.
- Close the ball valve upstream of the valves and fittings (item 7.01).
- Depressurize the system (item 7.10).
- Close the venting ball valve (item 7.10).

## 8 Maintenance

### 8.1 Maintenance Plan

The maintenance regulations of the system manufacturer must be observed. The following sections describe the maintenance work required for optimal and trouble-free operation of the device.

If increased wear is detected during regular inspections, the required maintenance intervals must be shortened in accordance with the actual wear.

For any questions on maintenance work and intervals, please contact the manufacturer.

The intervals for monitoring and maintenance work are strongly dependent on the operating situation and the condition of the gas. This is why no fixed intervals

can be given. For Germany, it is recommended that the maintenance periods as specified in the DVGW work sheet G 495 are observed initially.

For each system, this must be followed by determining the maintenance interval independently on a medium-term basis.

During maintenance work, the components must be cleaned and subjected to a thorough visual inspection. This is also necessary if irregularities in the operating behavior have been detected during operation or during functional tests.

The check must cover the elastomers in particular.

Damaged parts and O-rings dismantled during dismantling must be replaced with new ones.

It is recommended to stock the parts listed in chapter 9.2 on page 22 for maintenance work.

Interval	Maintenance work	Personnel
When necessary	Replacing O-rings	Qualified person
	Replacing diaphragms	
	Replacing the valve plate	
	Replacing sealing rings for the connections of the breather lines	



## 8.2 Maintenance Procedure

The maintenance procedure is described in detail step-by-step in our video tutorial and our pictorial descriptions. Instructions for our products can be found in the download area of our website. Should you have any problems, please feel free to contact us directly.

If components have been removed, make sure they are mounted correctly, reinstall all fastening elements and observe the screw tightening torques.

Prior to recommissioning, observe the following:

**ATTENTION**



- Make sure that all maintenance work has been carried out and completed in accordance with the data and information given in these instructions.
- Make sure that no unauthorized persons stay in the danger zone.
- Make sure that all covers and safety devices have been installed and are working properly.

**DANGER**



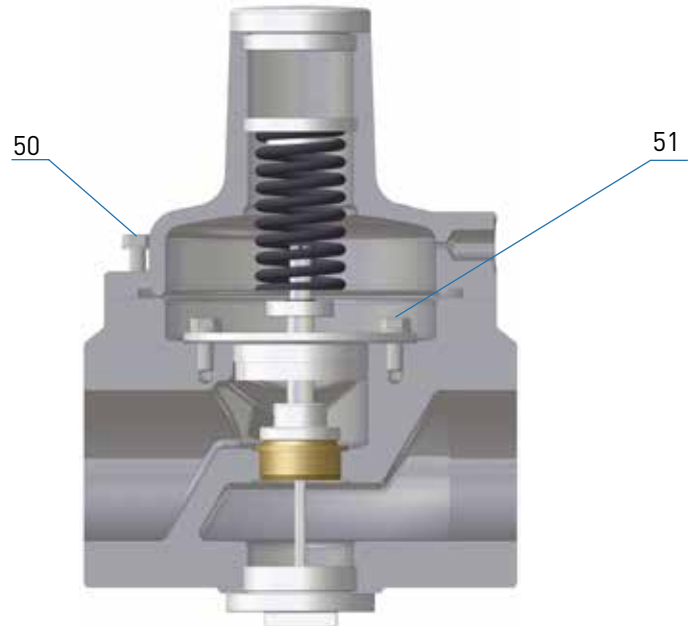
For recommissioning, please refer to the relevant manufacturer's documentation of the gas pressure regulator installed in the system, the work instructions of the system operator, and the other safety regulations of the system in which the safety relief valve has been installed.

To guarantee smooth operation, we recommend always keeping a maintenance set in reserve.

**Note**

## 8.3 Table of Screw Tightening Torques $M_A$

Item no.	SL10 / Rp 1" SL10 / Rp 1 1/2" SL10 / Rp 2"
50	M6 / 8 Nm
51	M6 / 8 Nm



## 8.4 Lubricants Table

Components (apply a thin layer)	Lubricants
All O-rings	Syntheso Proba 270
All fastening and locking screws	

## oxygen model

For oxygen models, a suitable grease which is approved for the use with oxygen must be used.

**ATTENTION**



## 9 Troubleshooting

### 9.1 Safety Relief Valve

Description of the error	Possible cause	Elimination
SRV vents during operation	Actuator dirty or damaged	Check valve plate (seal) and valve seat for damage and dirt, replace valve plate, if necessary
	Static sealing elements defective	Replace O-rings
	Valve plate has become disconnected from the valve stem	Tighten nut under the valve plate
	SRV settings are incorrect	Check SRV settings
	SRV set too low	Check SRV settings
	Sluggishness of the device due to dirt	Subject device to maintenance
SSV frequently shuts off	Stopcock upstream of SRV is closed	Open stopcock
	SSV set too low or SRV set too high	Check SSV and SRV settings
Gas escapes through breather line	Fastening of the main diaphragm has come off Main diaphragm is damaged or has been mounted incorrectly	Check diaphragm for fastening, damage, and correct fit

## 10 Replacement and Disposal

After the device has reached the end of its useful life, it must be dismantled and disposed of in an environmentally friendly manner.

During dismantling, components that may present a risk of injury by contamination, depending on the medium, are removed. The components must be properly decontaminated depending on the processed medium. Diffusible components (diaphragm, O-ring, etc.) may have to be taken to a special disposal unit, depending on the medium used.

### ATTENTION



If no return or disposal agreement has been signed, disassembled components should be recycled:

- Metals should be scrapped
- The remaining components should be disposed of after sorting according to material.

Alternatively, scrapping by MEDENUS can be agreed with the service. The return is at your own expense, the disposal by MEDENUS is free of charge.

**For technical information, please contact our customer service:**

MEDENUS Gas-Druckregeltechnik GmbH  
Im Langen Feld 3  
D-57462 Olpe

Phone +49 (0) 2761 / 82788-0  
Fax +49 (0) 2761 / 82788-9

E-mail [service@medenus.de](mailto:service@medenus.de)  
Internet [www.medenus.de](http://www.medenus.de)

In addition, we are always interested in information, suggestions and experience resulting from the application and which can be valuable for improving our products.

### Note

## 11 Spare Parts

### 11.1 Parts for Maintenance Work

#### O-Rings and Sealing Rings

Item no.	Name	Quantity pcs.	Exception	SL10 / Rp 1" SL10 / Rp 1 1/2" SL10 / Rp 2"
4	O-ring	1		O-013
7	O-ring	1		O-007
11	O-ring	1		O-007
14	NBR ring	2		N-001
20	O-ring	1		O-013
		2	HD2	O-013
<b>O-ring set order number:</b>				<b>OS-081</b>

#### Valve Plate / Diaphragm

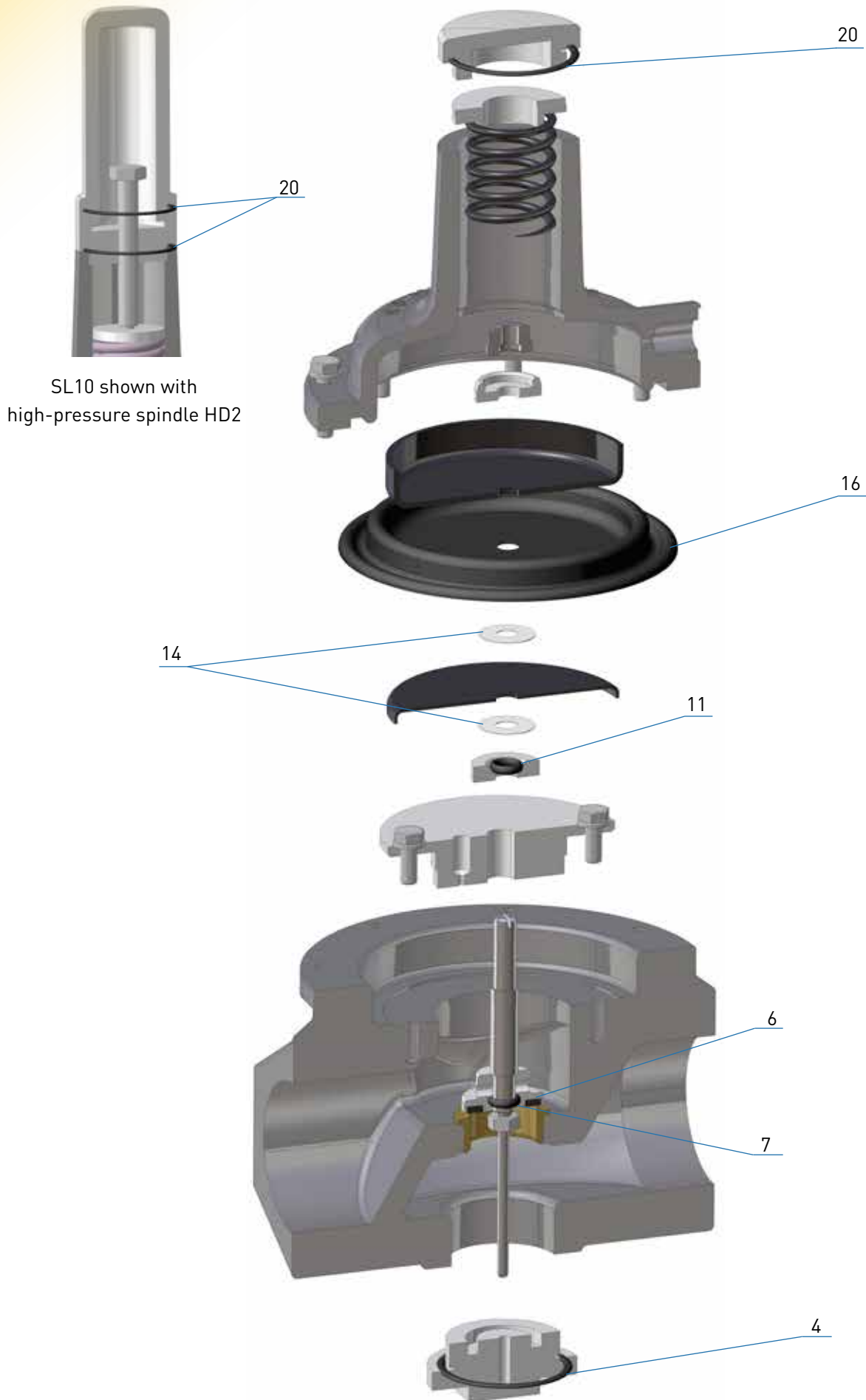
Item no.	Name	Quantity	SL10 / Rp 1" SL10 / Rp 1 1/2" SL10 / Rp 2"
6	Valve plate	1	<b>VT-213</b>
16	diaphragm	1	<b>M-111</b>

#### Example:

Safety relief valve: SL10 / Rp1"  
Spare parts according to tables in 9.1  
Valve plate SRV: **VT-213**  
Diaphragm SRV: **M-111**  
O-ring and sealing ring set: **OS-081**

**Info:** The allocation of individual parts is done according to the item no. in the tables in 9.1, conforming to the spare parts drawings in 9.2.

## 11.2 Spare Parts Drawing SL10



## Notes

A series of horizontal dotted lines intended for writing notes.

## 12 Accessories / Options

### 12.1 Leakage Gas Quantity Display

#### 12.1.1 Use

The leakage gas quantity display is used for monitoring the reaction of the safety relief valve SRV.

#### 12.1.2 Application / Function

The flow body connected to a magnet is lifted as soon as the SRV is triggered. Afterwards the black pointer is moved from the green into the red area by means of a magnetic coupling.

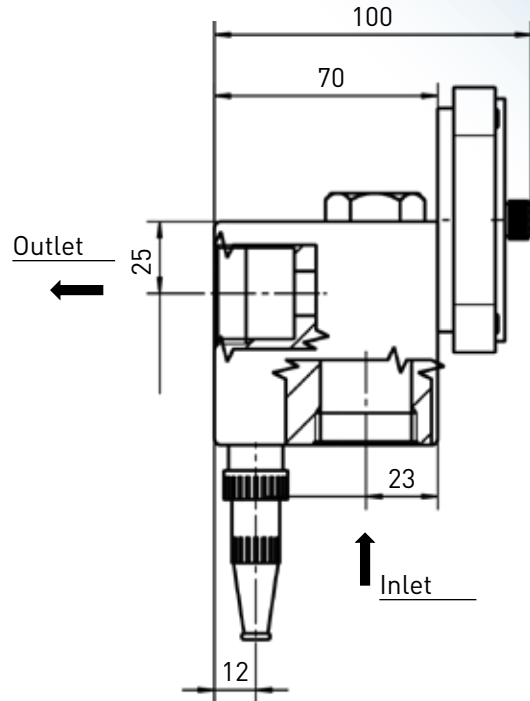
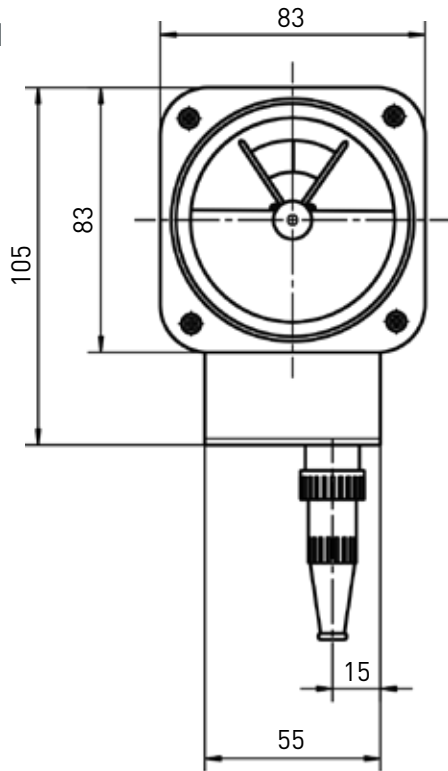
The red drag pointer is carried along and can only be reset manually. The reed contact signal is tapped with the help of a 3-pin connector with bayonet catch.



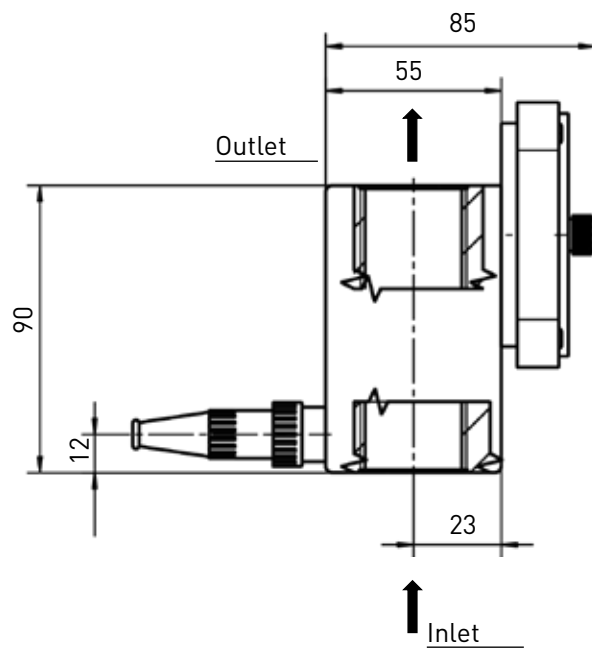
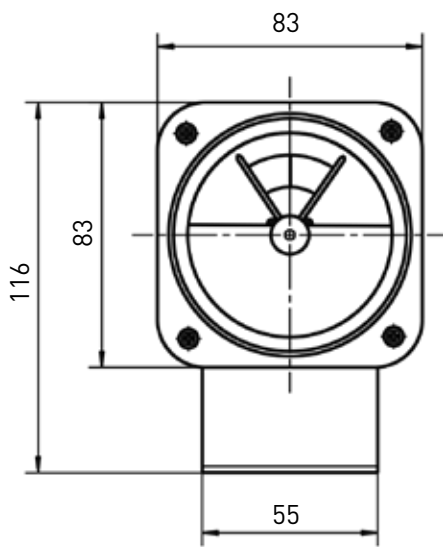
#### 12.1.3 Technical Data

- Type: LI-1
- Pressure level: PN 100
- P adm.: 100 bar
- Temperature range: -15 °C to +60 °C
- Medium: All gases according to DVGW work sheet G 260/I
- Case: Aluminum wrought alloy
- (wetted)
- Display: Optical and per reed contact
- Drag pointer: Standard, included
- Valve diameter: 28 mm
- Trigger quantity: > 40 l air/h (in normal state)
- Material: Aluminum wrought alloy
- Display: Pointer and drag pointer
- Connections: Female thread G 1"
- Electrical connection: Reed contact (3-pin/DIN)
- Reed contact type SPDT: 3-pin connector according to DIN 41524 (1 NC + 1 NO)
- Electrical load capacity: 3 VA / 28 V / 0.25 A
- Ex protection: Intrinsically safe (Ex) i G5 via (Ex) separating relay

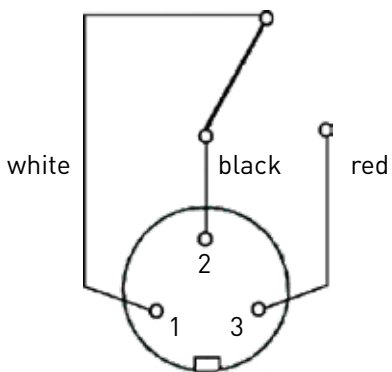
Type LI-1



Type LI-2



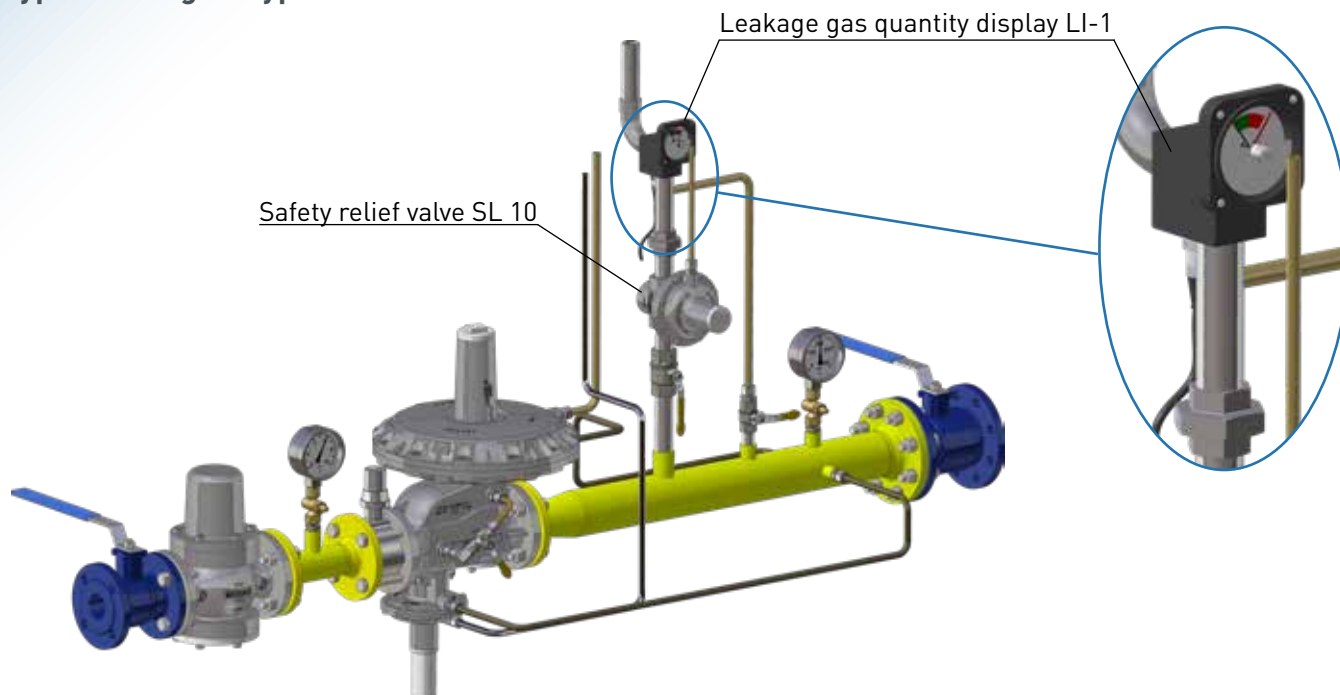
Pin assignment



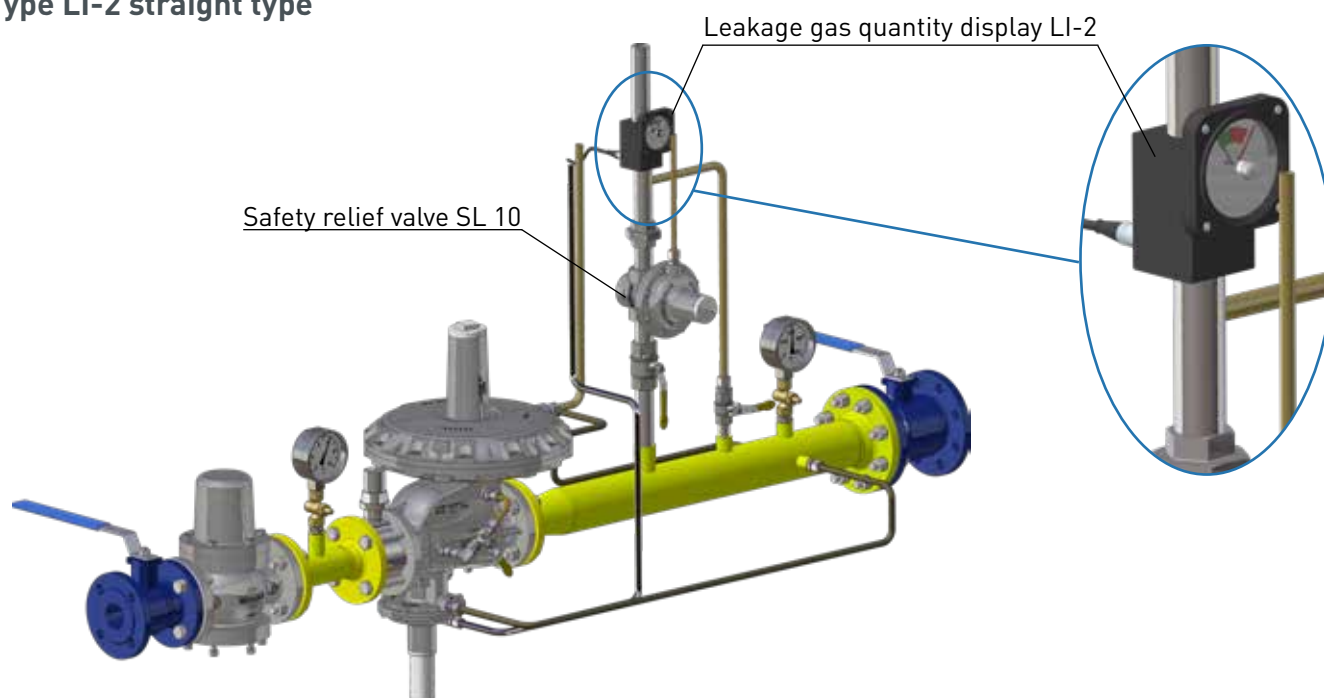
Pin assignment corresponds to DIN 41524

## 12.1.4 Application example

### Type LI-1 angled type



### Type LI-2 straight type

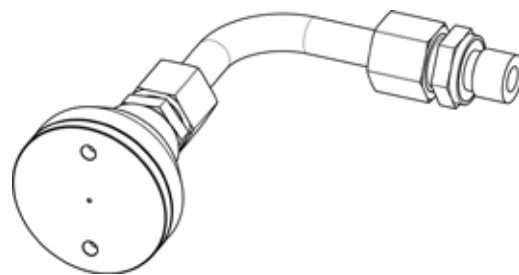




## 12.2 AV 530 breather valve

### 12.2.1 Use

- On SSV control devices
- On regulators (pilots)
- With low-dynamic regulation sections (one full stroke)
- On the SRV



### 12.2.2 Application / Function

The breather valve is used as replacement for the costly and time-consuming laying of breather lines and for securing the installation room against inadmissible escape of gas from diaphragm comparator compartments of gas pressure regulators and safety shut-off valves.

Safety shut-off valves (SSV) of functional class A are triggered automatically and seal gas-tight.

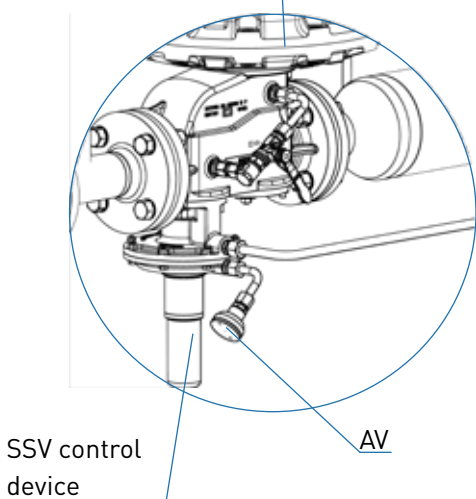
In compliance with EN 12186:2014, the use of the AV guarantees that in case of a defect of the working diaphragm, escape of gas from the breather connection of the gas pressure regulator or of the safety shut-off valve of more than 30 l/h is prevented.

### 12.2.3 Technical Data

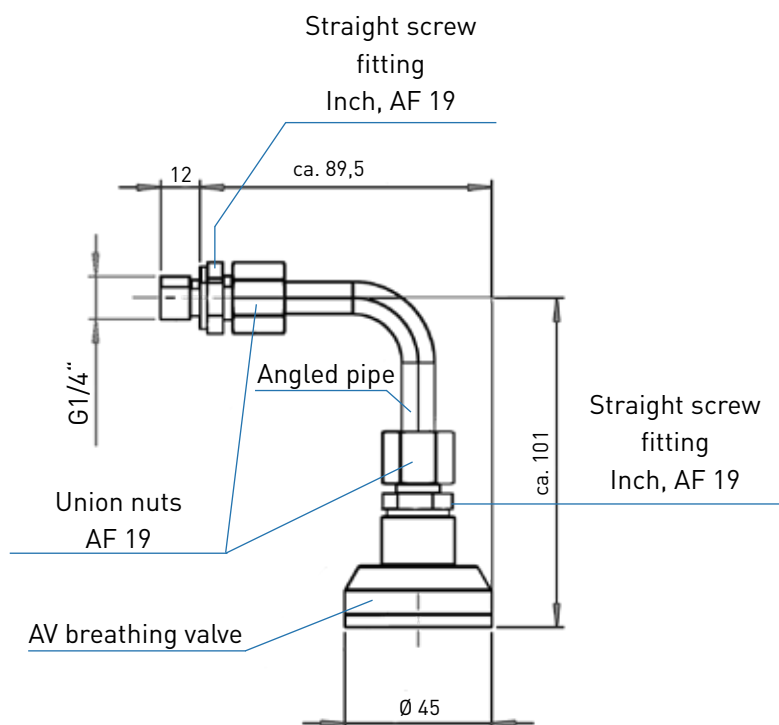
• <b>Type</b>	AV
• <b>Max. allowable pressure PS</b>	25 bar
• <b>Max. operating pressure <math>p_{max}</math></b>	25 bar
• <b>Max. allowable flow rate</b>	30 l/h

- **Connection type** Male thread G 1/4"
- **Temperature range class 2** (operating/ambient temperature) -20 °C to +60 °C

Gas Pressure Regulator



Application example on the SSV



## 12.2 HD-2 version

### 12.2.1 Use

- Gas pressure regulators R51
- On the SRV (SL10)

### 12.2.2 Application / Function

The HD-2 high-pressure spindle is used for simplified adjustment of the control spring in the safety relief valve SRV. For the adjustment of particularly strong control springs, the use of a high-pressure spindle is mandatory.

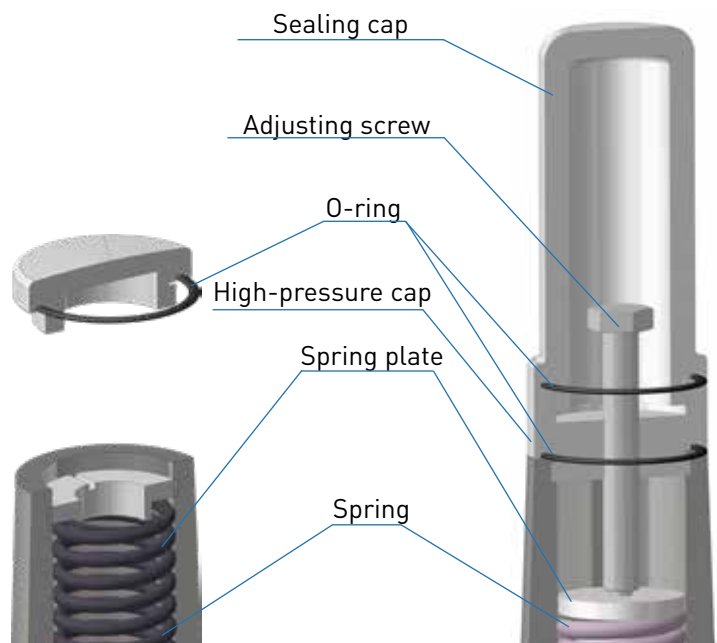


### 12.2.3 Mounting

- Unscrew the sealing cap
- Unscrew the setting screw anticlockwise
- Take off the spring plate from the spring  
**Attention! Do not lose the steel ball!**
- Remove the built-in spring
- Insert a new spring
- Insert spring plate again  
**Attention! Do not forget the steel ball!**
- Screw high-pressure cap with high-pressure spindle into the spring dome

#### Do not forget the O-ring!

- On the width across flats (AF 17) of the spindle, set the desired outlet pressure
- Screw on the sealing cap  
**Do not forget the O-ring!**

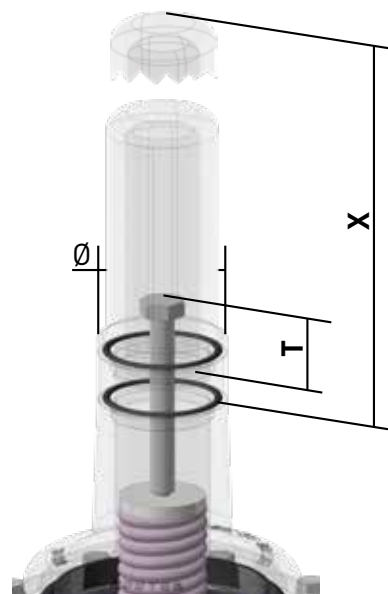


Standard model

HD-2 version

### 12.2.4 Mounting instructions

- **Setting of the HD-2 version**
  - Screw-in depth T min: 36 mm
  - Screw-in depth T max: 59 mm
- **Dismounting height HD-2 version (Ø 52 mm)**
  - X: 160 mm



**ATTENTION** All threads must be oiled!

# Declaration of Conformity

---

Manufacturer: Medenus Gas-Druckregeltechnik GmbH

Address: Im Langen Feld 3  
D-57462 Olpe

---

declares under sole responsibility that the product:

**SL 10** Safety relief valve

have been subjected to an EC-type examination and conform to the basic requirements of the directives GAR (EU) 2016/426 EC-Gas Appliances Regulation and 2014/68/EU A III B EC-Pressure Equipment Directive in the respective current version.

---

Marking (PIN) according to Pressure Equipment Directive and Gas Appliances Regulation

**CE-0085AQ0879 model SL 10**

---

Notified body (EU type examination: Module B)

DVGW CERT GmbH  
Josef Wirmer Straße 1-3  
D-53123 Bonn, Germany  
Notified Body number: 0085

The basis of the EC type examination are the harmonized European standards and / or national standards, as well as the European directives and / or regulations:

2014/68/EU A III B EC Pressure Equipment Directive	(15.04.2014)
GAR (EU) 2016/426 A III B EC Gas Appliances Regulation	(09.03.2016)
DIN EN 33821	(01.03.2009)

---

Monitoring of the EC quality assurance system (module D)

DVGW CERT GmbH  
Notified Body number: 0085

Registration No. Pressure Equipment Directive **SD-0085BQ0510**

Registration No. Gas Appliances Regulation **SE-0085BQ0510**

---

Olpe,  
07.08.2023

  
Alexander Christiani  
Managing Director

## Notes

A series of horizontal dotted lines for writing notes.

# Notes

A series of 30 horizontal dotted lines for writing notes.

# Notes

A series of 22 horizontal dotted lines for writing notes.

In the download area of our homepage, this document is available in different languages. You can use the following QR codes and links to go directly to this document in your language.



**German:**

[http://medenus.de/files/upload/downloads/SL10/BWA\\_SL10\\_de.pdf](http://medenus.de/files/upload/downloads/SL10/BWA_SL10_de.pdf)



**MEDENUS** Gas-Druckregeltechnik GmbH

Phone +49 (0)2761 82788-0

Fax +49 (0)2761 82788-9

Im Langen Feld 3 / D-57462 Olpe

[info@medenus.de](mailto:info@medenus.de)

[www.medenus.de](http://www.medenus.de)

**EN**